

iSC GmbH
Customer Service
Eschenstraße 6
94405 Landau/Isar

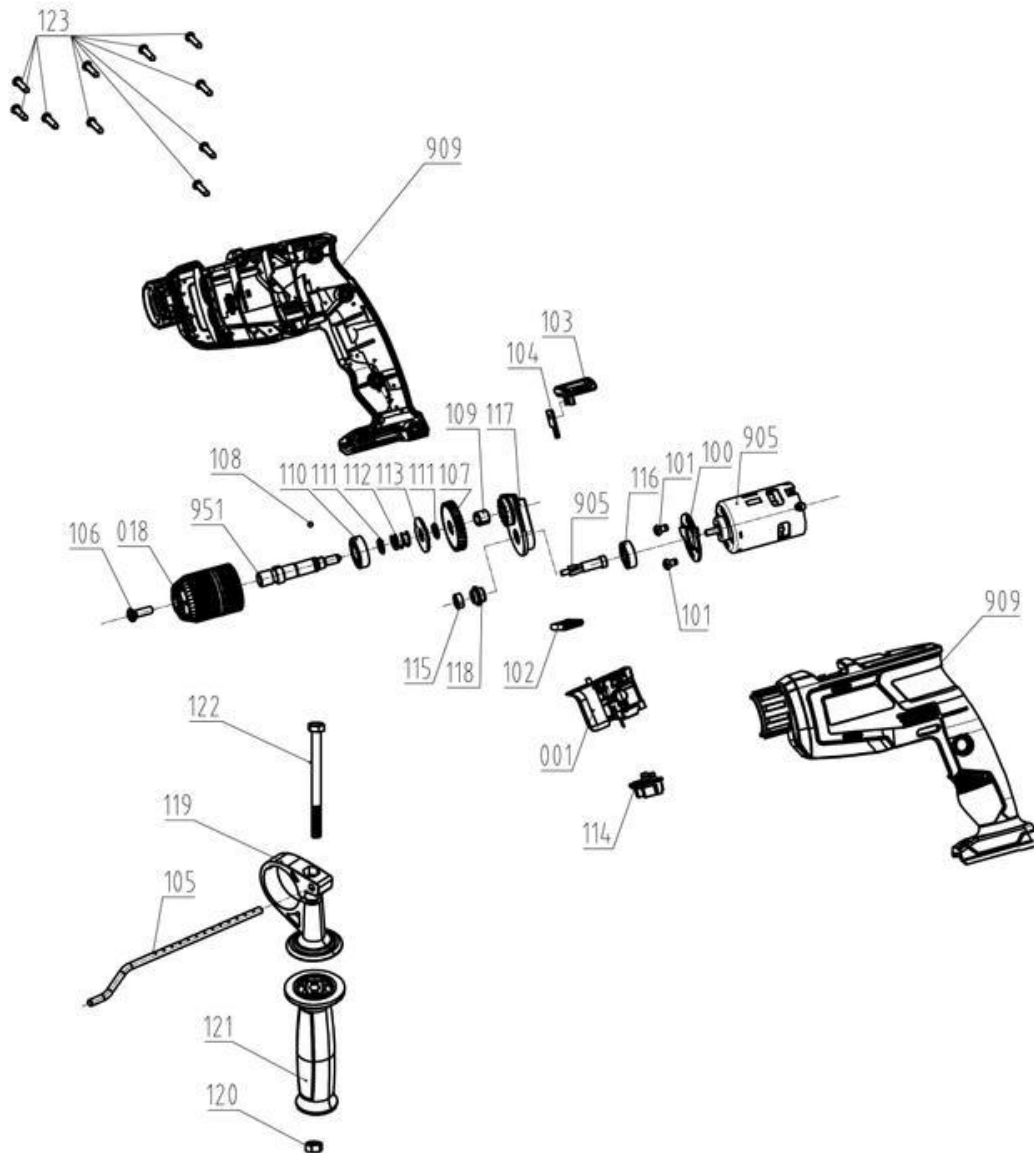
Telephone:
Email:

+49 9951 959 2019
service-de@einhell.com



Cordless Hammer Drill
TC-ID 18 Li - Solo

Article number: 4513960
Ident number: 11019



Spare parts

Pos	Art.	Ident number	Product Name
001	451396001001	00000	switch on/off
018	451396001018	00000	keyless chuck - quick clamp
099	451396001099	00000	color box
100	451396001100	00000	engine mount
101	451396001101	00000	screw M5 x 6
102	451396001102	00000	switch left/right hand motion
103	451396001103	00000	switch striking on/off
104	451396001104	00000	sliding plate
105	451396001105	00000	depth stop
106	451396001106	00000	chuck attachment screw M6 x 25
107	451396001107	00000	gear wheel
108	451396001108	00000	ball
109	451396001109	00000	needle bearing HK0709
110	451396001110	00000	ball bearing 6001 Z
111	451396001111	00000	retainer
112	451396001112	00000	spring
113	451396001113	00000	holder plate
114	451396001114	00000	contacts
115	451396001115	00000	ball bearing A 624 Z
116	451396001116	00000	ball bearing B 608 Z
117	451396001117	00000	bearing shield
118	451396001118	00000	seal ring
119	451396001119	00000	handhold
120	451396001120	00000	nut M8
121	451396001121	00000	handle clamping unit
122	451396001122	00000	screw M8 x 100
123	451396001123	00000	screw ST4 x 16
905	451396001905	00000	Complete Engine Assembly
909	451396001909	00000	Housing Assembly
951	451396001951	00000	Output shaft Assembly